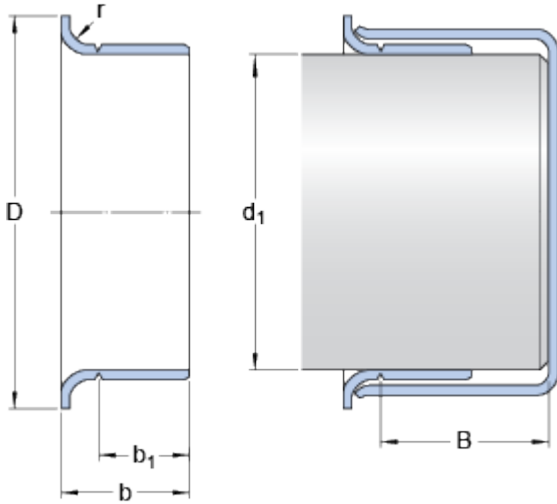


99830

Design

SKF Speedi-Sleeve Gold

Dimensions



Nominal dimensions

d_1		45	mm
D		53.01	mm
Tolerance outside diameter D	\pm	1.6	mm
b		16.993	mm
Tolerance width b	\pm	0.8	mm
b_1		13.995	mm
Tolerance width b_1	\pm	0.8	mm
B	max.	20.625	mm
r	max.	3.18	mm

Shaft diameter range

d_1	min.	44.933	mm
d_1	max.	45.085	mm